

Millenium is a retractable coverage system, made to size for the protection from sun and rain, that has to be fixed to a supporting wall. It consists of an aluminum structure and a folding canvas.

Front-tilting versions have guaranteed wind resistance of grade 8 on the Beaufort scale while flat versions have grade 6 resistance (above class 3 - UNI EN 13561). The system is not suitable for bearing snow.

The canvas, made from exclusive Corradi Eclissi* fabric with internal concealed obscuration layer and embossed side which displays a woven effect,

is supported by intermediate support tubes (section: 4x5 cm) and terminal support tubes (section: 8x5 cm), set parallel approximately one every 60 cm (tilted version) and approximately one every 50 cm (flat version). The canvas moves sliding on support runners (section 5x9 cm) on 6 misaligned wheels with a capacity over 450 kg each.

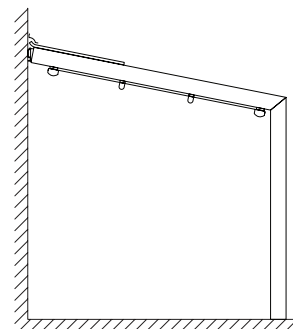
The toothed transmission belt contains stainless steel cables and resists a saline environment; the tensile strength is of 894 kg at break; the transmission belt is inserted in each runner, controlled by the notched pulley and a single drive shaft and guarantees the smooth forward movement of the canvas.

The Millenium system is set in motion by a ratio-motor (electric drive) and it may be remote controlled; on request control may be by manually operated gearbox which can be used only with 2 runner flat or tilted versions up to a projection of cm 350.

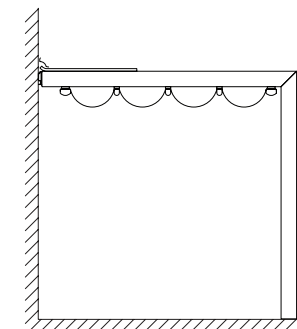
The structure comes in: aluinox, anthracite and white; the support tubes come in: white or ivory. Varnishing with epoxy powders, certified Qualicoat cycle except for the aluinox finish which is obtained through a chemical anodization process.

Emergency kit in AISI 304 steel and 10/10 aluminium protection covers in the same colour as the structure.

TILTED
Version



FLAT
Version



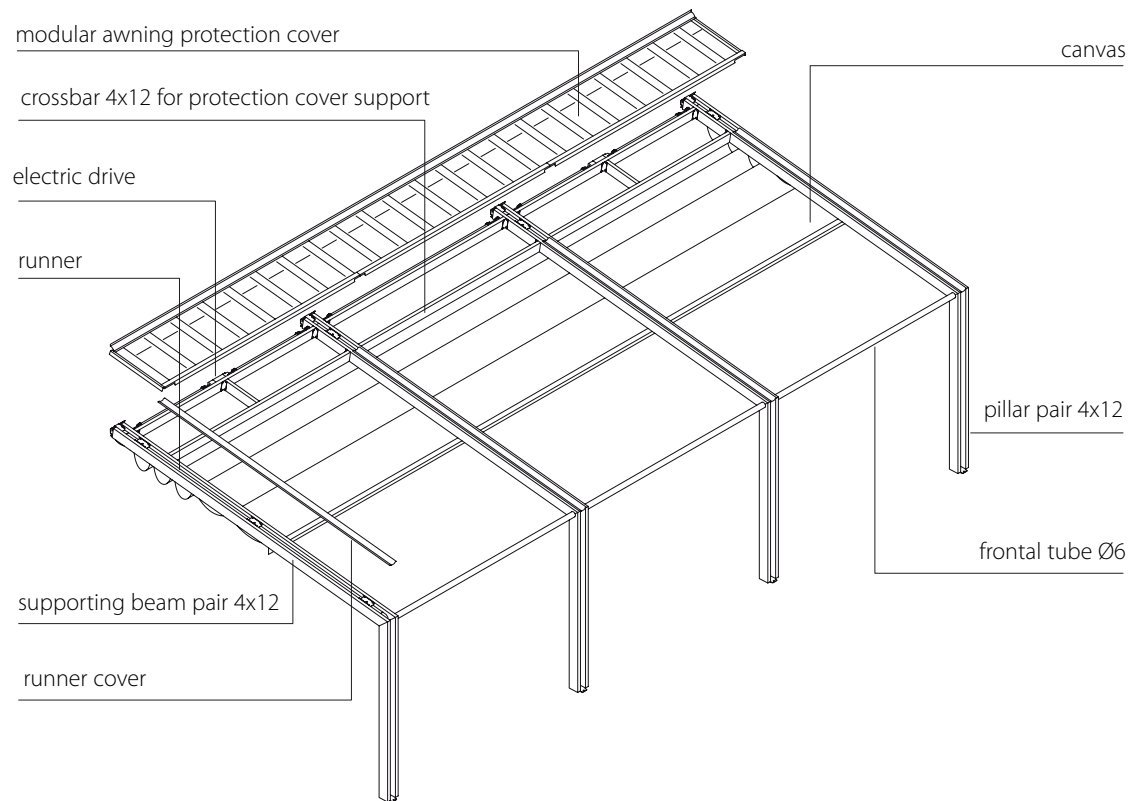
MAXIMUM DIMENSIONS cm

	<i>Width</i>	<i>Projection</i>
2 runners	450	590
3 runners	900	590
4 runners	1300	590

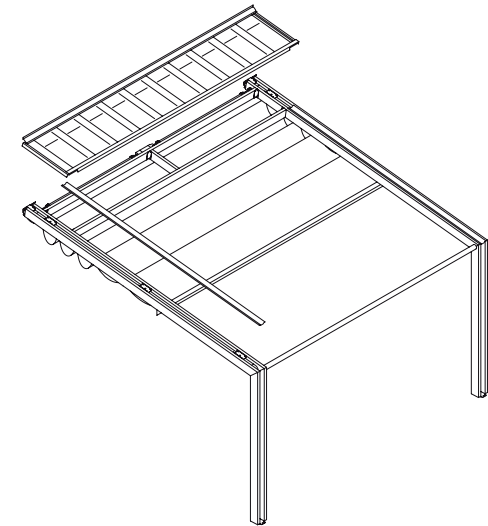
MAXIMUM DIMENSIONS cm

	<i>Width</i>	<i>Projection</i>
2 runners	350	600
3 runners	700	600
4 runners	1050	600

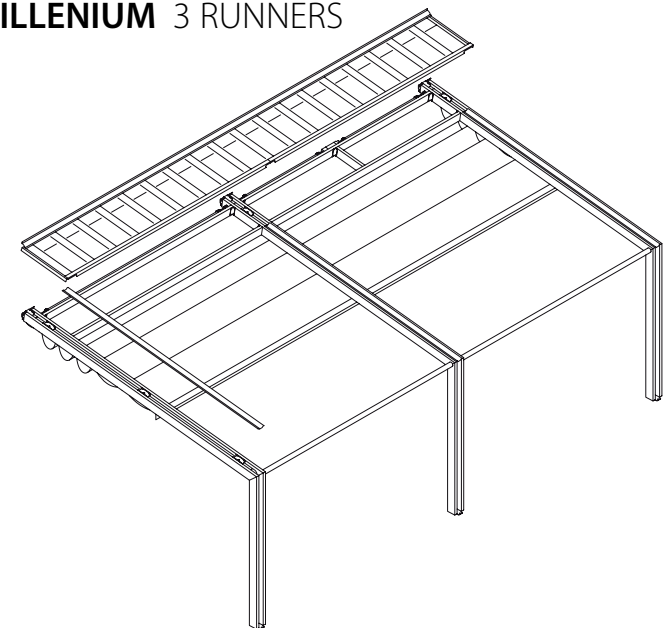
MILLENIUM 4 RUNNERS



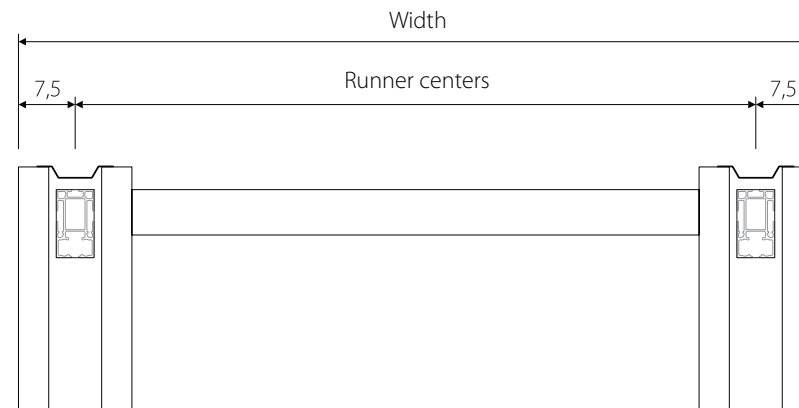
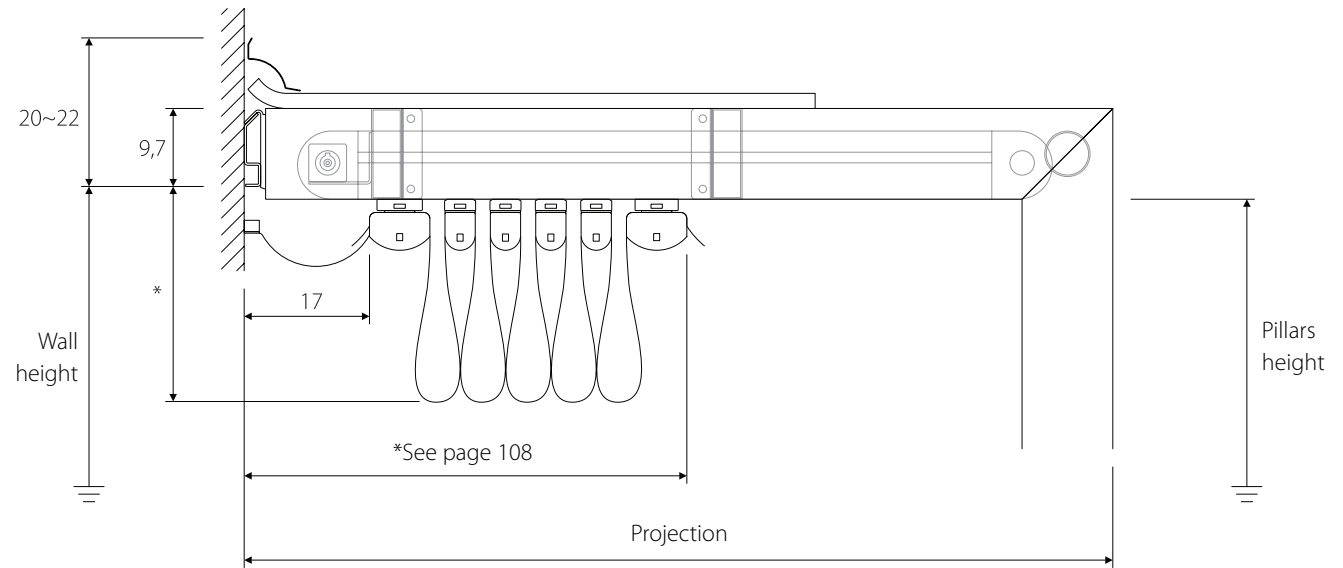
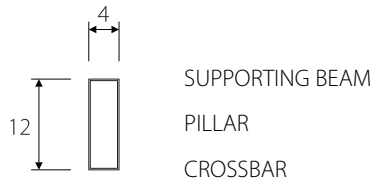
MILLENIUM 2 RUNNERS



MILLENIUM 3 RUNNERS

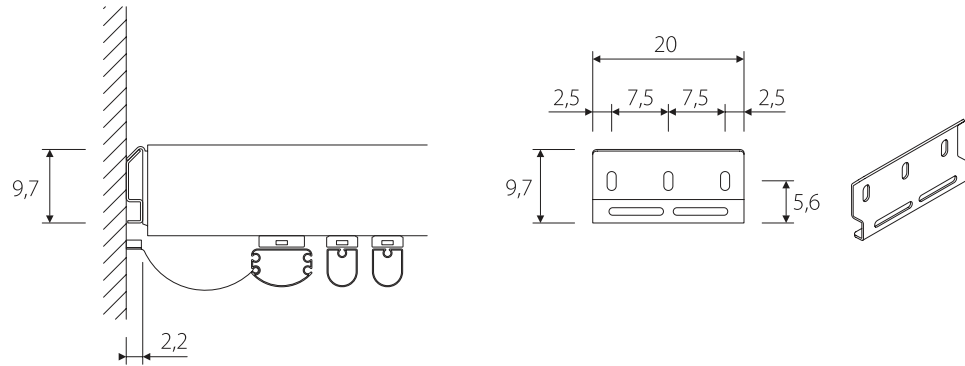


BEAM SECTIONS

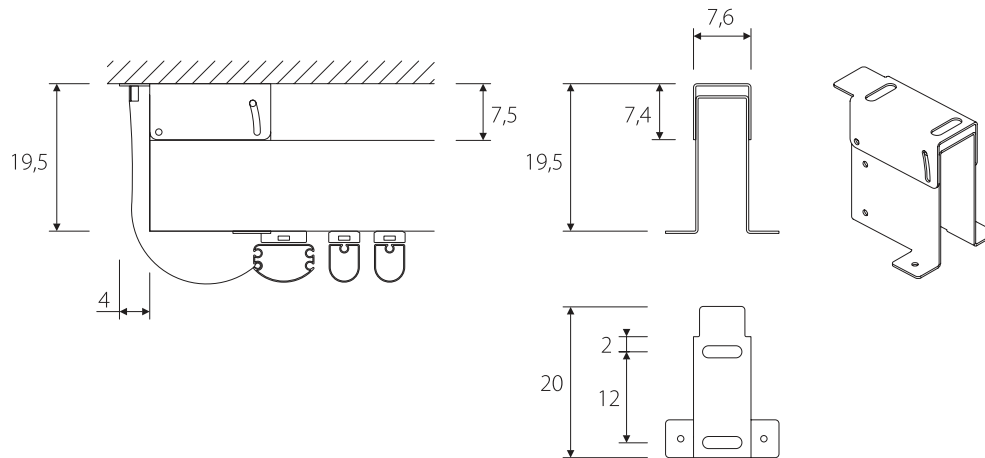


All measurements are given in cm.

WALL MOUNTING

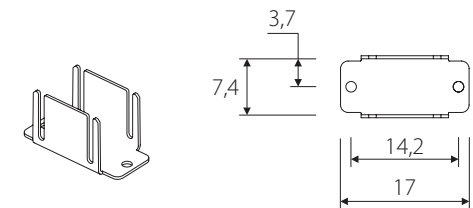
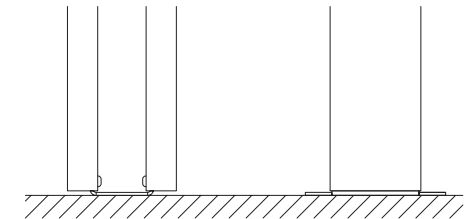


OVERHEAD MOUNTING



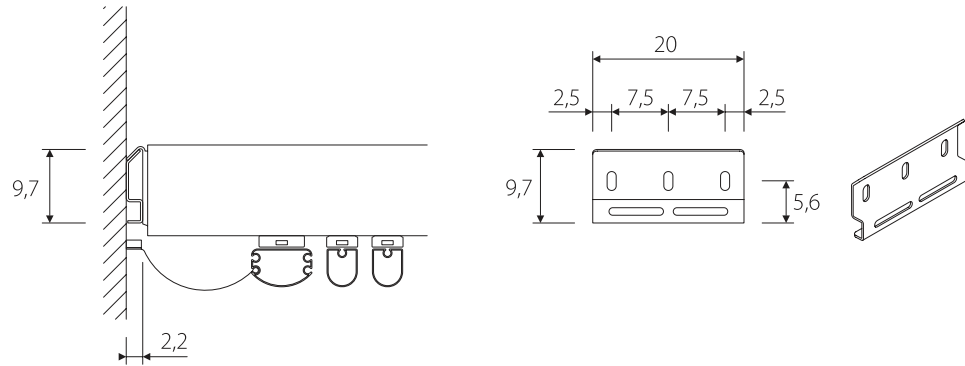
GROUND MOUNTING

MILLENIUM FOOT

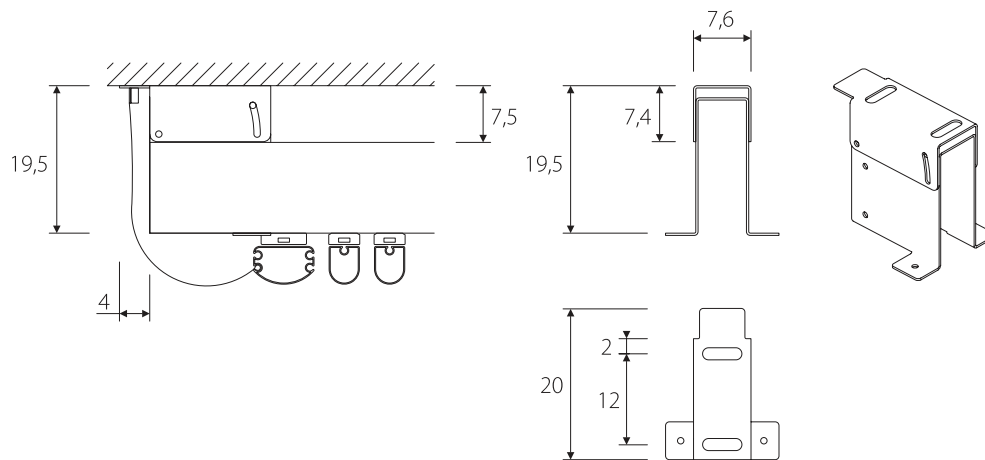


All measurements are given in cm.

WALL MOUNTING

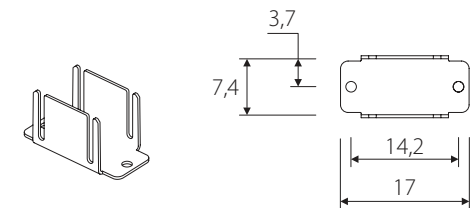
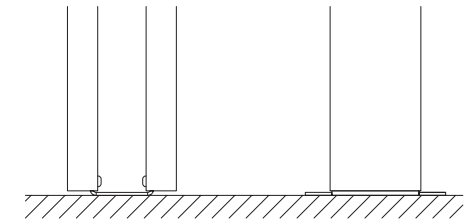


OVERHEAD MOUNTING



GROUND MOUNTING

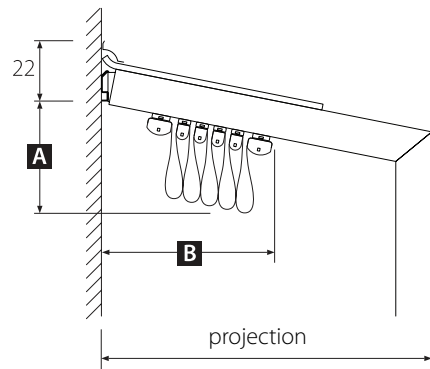
MILLENIUM FOOT



All measurements are given in cm.

Tilted version

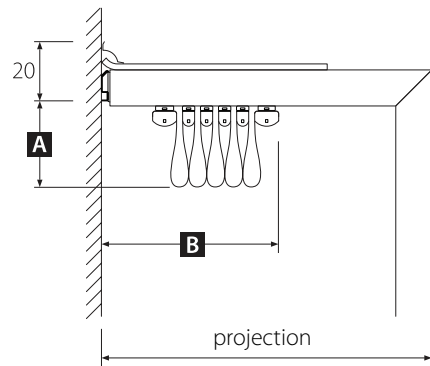
Minimum values of the encumbrance of the folded awning for the tilted version (slope 15%). The figures written in bold type refer to the canvas encumbrance with standard support tubes and the following refer to the use of additional tubes.



PROJECTION cm	SUPPORT TUBES TOTAL NUMBER									
	4	5	6	7	8	9	10	11	12	13
226	31	24	21							
285		32	27	24						
345			33	29	26					
404				34	30	28				
464					35	32	30			
523						36	33	32		
583							37	35	33	
590								35	34	32
	39	46	53	60	67	74	81	88	95	102

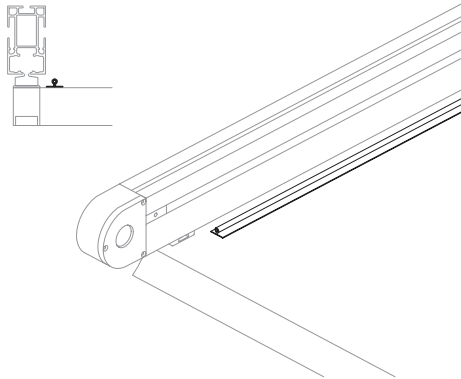
Flat version

Minimum values of the encumbrance of the folded awning for the flat version. The figures written in bold type refer to the canvas encumbrance with standard support tubes with a deflection of cm 17.



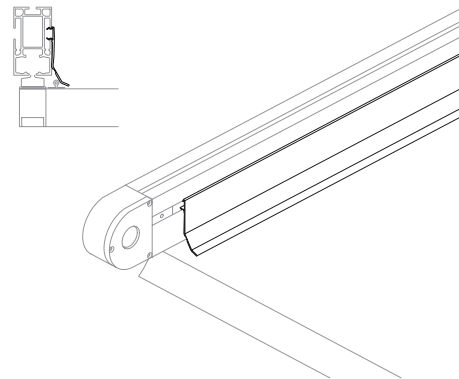
PROJECTION cm	5	6	7	8	9	10	11	12	13	14	15
	248	63	56	52							
298		63	57	54							
348			63	58	55						
398				63	58	55					
448					63	59	56				
498						63	59	57			
548							63	60	57		
598								63	60	58	
600									60	58	56
	57	64	71	78	85	92	99	106	113	120	127

All measurements are given in cm.



S1 Antidrop system

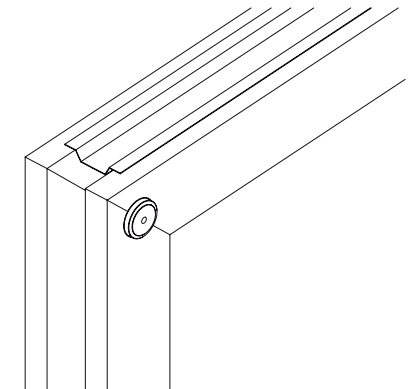
Electric weldable pvc profile on the upper part of the canvas for lateral rainwater prevention.



S2 Antispray profile

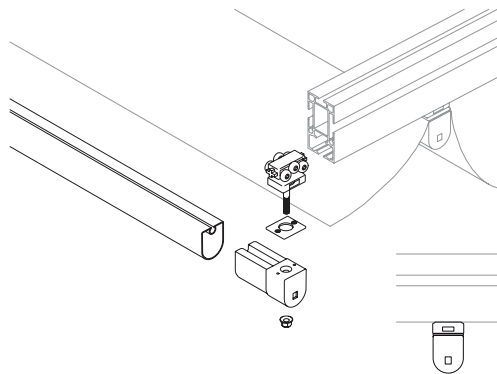
Pvc profile pressed on the lateral side of the runner for retention of rainwater spray.

Always in addition to the antidrop system **S1**



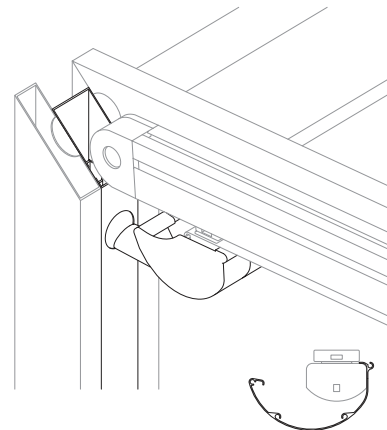
S4 Add-on runner

Millenium runner complete with pair of supporting beams and pillar pair 4x12, inox supports, Impact runner system, sliders, support tube joints, central transmission shaft with bushes.



S5 Add-on intermediate support tube

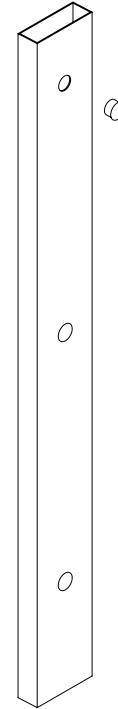
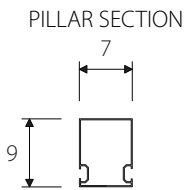
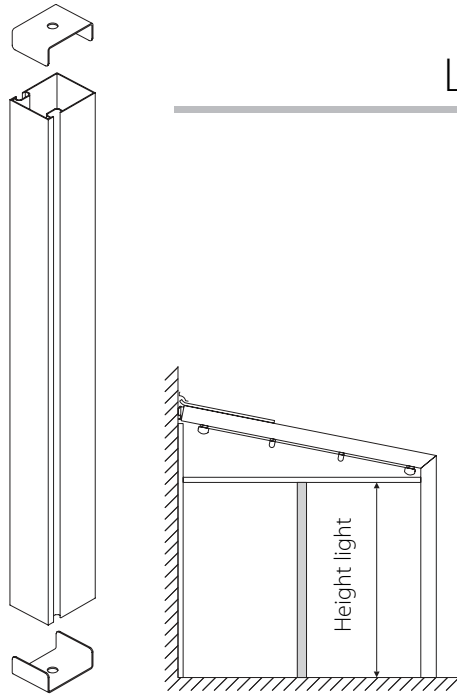
Complete intermediate support tube with intermediate stopper, joints (where present) and intermediate sliders.



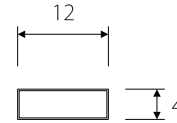
S6 Retractable gutter

Extruded aluminum profile for rainwater collection, only for tilted versions, fixed to the end support tube. Down pipes included (1 for every pillar).

LATERAL PILLAR

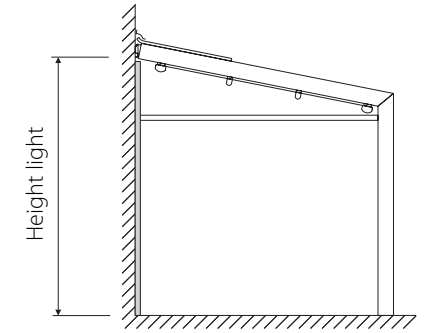
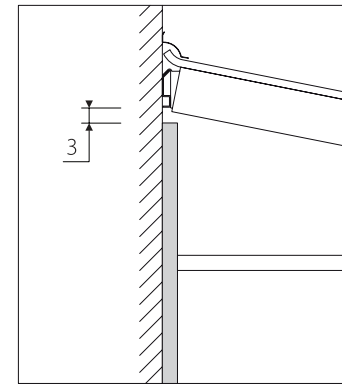


BEAM SECTION

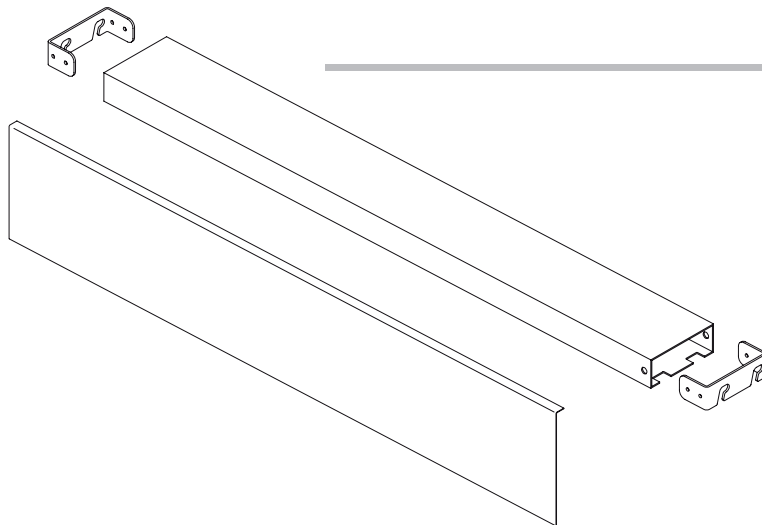


VERTICAL WALL BEAM

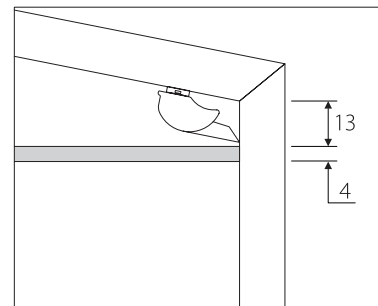
VERTICAL SIDE BEAM POSITION



HORIZONTAL SIDE BEAM



VERTICAL WALL BEAM POSITION



BEAM SECTION

