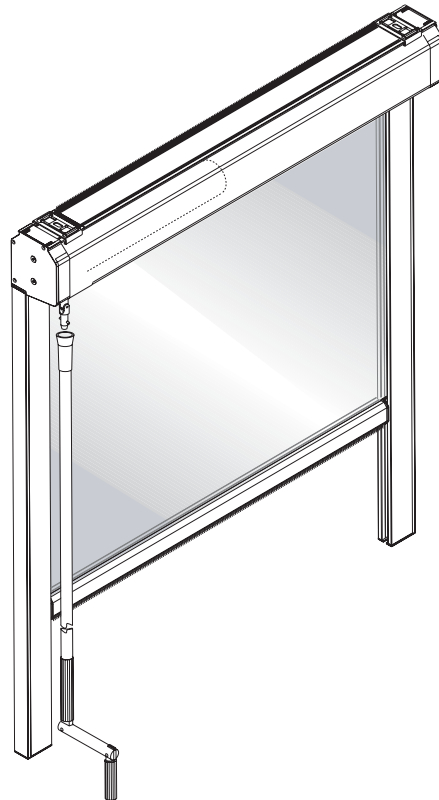


PRESENTATION	2
TYPES AND SIZES	3
MATERIALS	4
FABRICS AND COLOURS	5
COMMANDS	6
WARRANTY	7



MAIN COMPONENTS

CASSETTE
END CAP
PROTECTIVE CANVAS
GUIDE
TERMINAL WITH DRAUGHT BRUSH

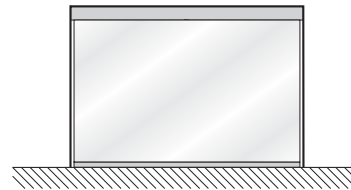
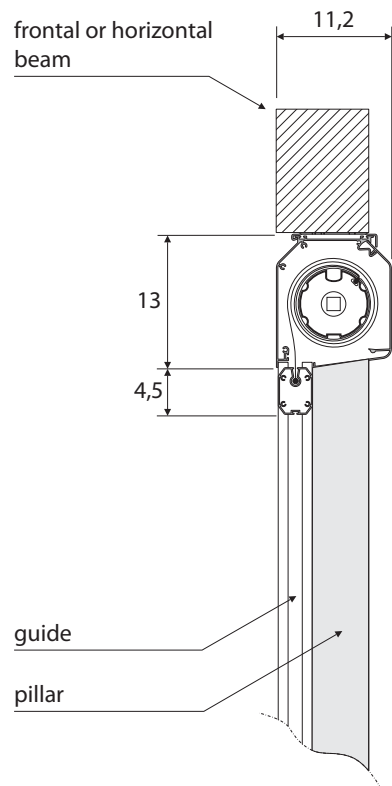
CONFORMS TO STANDARDS



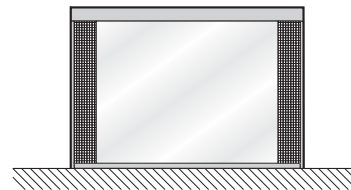
Vertical roll-up rain and wind screen with wind resistance up to class 3 (as per UNI EN 13561 and EEC machine directive 98/37/CE). Inspectable protection casing, side guide 60x33 mm with canvas retention system. Ermetika A with transparent

PVC CRISTAL canvas. Ermetika B with transparent PVC CRISTAL canvas alternated with 50 cm screened fabric strips. Ermetika C with insect screen (standard) or other selected fabric (supplement). Frame in powder coated aluminium, available in:

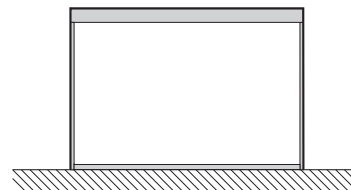
brown, green, anthracite, grey, white and ivory. Command selection: manual with winding handle or electric with remote control possible, at extra cost.



ERMETIKA A - Fabric CRISTAL



ERMETIKA B - Fabric CRISTAL + VINITEX



ERMETIKA C - Fabrics: VINITEX
INSET SCREEN
SUNWORKER
ACRILICO

MAXIMUM DIMENSION

	width	height
Ermetika A	cm: 250	x 350
Ermetika B	cm: 350	x 350
Ermetika C	cm: 350	x 350

Unless otherwise indicated, all measurements are given in cm.

ALUMINIUM

Sheet metal items are in hot varnished UNI 6060 aluminium alloy, pre-treated according to stringent procedures such as those required by the "qualicoat" quality mark for maximum durability. The coating can last for a considerable time (more than 20 years), but may be affected by critical weather conditions, such as proximity to the sea or acid rain with heavy chemical pollution. The warranty covers these critical conditions. ERMETIKA is classified to Class 3 (UNI EN 13561) for the durability of aluminium components.

FABRIC

We recommend CRISTAL PLUS, a see-through, anti UV, flame retardant PVC, with class 2 resistance to fire (Interior Ministry approval number MN222A70CD200043) which is 100% waterproof and weighs 610 g/m².
To care for the fabric, simply wash with soap and water.

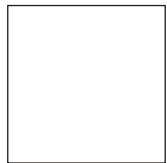
SUPPORTS AND SCREWS

ERMETIKA is supplied with AISI 304 STAINLESS STEEL supports and screws to guarantee the utmost structural strength and maximum resistance to corrosion of metal parts. None of these components require maintenance.

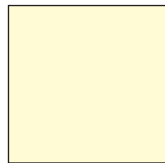
	Description	fireproof treat.	h roll cm	weight gr/m ²	weave* kg/5cm	weft* kg/5cm
SUNWORKER	PVC layer on one side, polyester on the other	CL 1	300	350	250	150
CRISTAL PLUS	PVC trasparente anti U.V. - 5/10 thickness	CL 2	132	610	45	45
VINITEX 3x3	Polyester fabric, PVC covered	-	200	300	59	57

* Traction strength parameters in Kg / 5 cm.

COLOURS FOR GUIDES AND CAPS



White



Ivory



Grey



anthracite



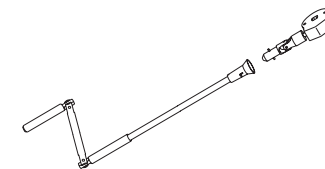
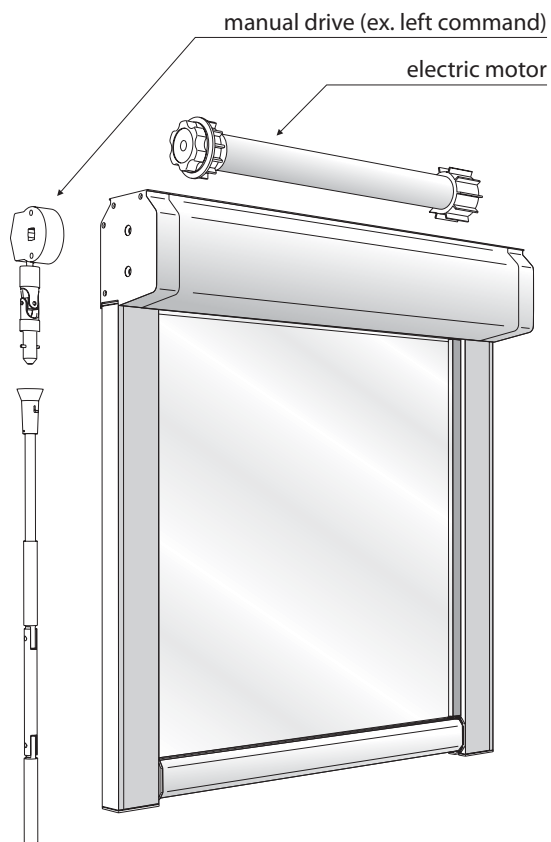
Green



Brown

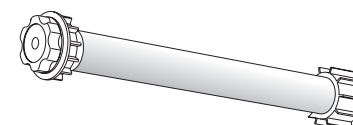
WARNING:

THE COLOURS SHOWN ARE INDICATIVE AND MIGHT NOT EXACTLY MATCH ACTUAL COLOURS.



MANUAL DRIVE

Operated using a winding handle.



ELECTRIC MOTOR

Versions: **PA:** with push-button control.
RK: with integrated receiver.
SMART: with electronic limit switch.

Supply voltage: 230 V - 50 Hz
 Absorbed power: 125 W Consumption: 0.55 A
 The gear motor conforms to the directive 89/336/EEC and successive amendments Legislative Decree 476/92.

REMOTE CONTROL



All electric motors conform to the European directive on electromagnetic compatibility 89/336/EEC and successive amendments Legislative Decree 476/92.

ERMETIKA is a roller awning used for covering external areas such as pergolas, balconies, rooftop gardens, greenhouses, etc.

ERMETIKA (registered trademark) and its components are designed and patented by Corradi Srl - Bologna, Italy - and have been manufactured in accordance with applicable technical standards.

The warranties hereunder are valid if installation and use of the awning conform to the specifications indicated in the articles and tables below. Only the finest materials, suited to outdoor use, have been used in the manufacture of ERMETIKA components.

The warranty is only valid if the following conditions are observed:

- A)** The installation is performed by competent technicians authorised by Corradi s.r.l.;
- B)** The use of ERMETIKA complies with the intended uses identified by the manufacturer

The warranty will be rendered void:

- by failure to respect points A and B;
- in the event of electric manoeuvring, if the voltage undergoes a variation of between 95% and 105% of the rated value (IEC standard 2-3 July 1988);
- if ERMETIKA is subjected to damage caused by objects falling on it or natural causes (lightning etc.)
- by damage caused by unauthorised personnel;
- if maintenance is carried out by unauthorised personnel.

Corradi Srl reserves the right to modify its products at any time, at its own discretion and without prior warning. Any modifications brought about by the end user or

technicians not authorised by CORRADI s.r.l. (tampering, technical modifications, etc.) to ERMETIKA or its components during the warranty period, will render the warranty void immediately; in this case and these conditions CORRADI s.r.l. is excluded of all responsibility and any direct or indirect consequential obligation.

ART. 1 - MODELS:

ERMETIKA must be vertically applied to a suitable supporting wall.

ART. 2 - USE:

ERMETIKA is a product made to customer specifications by Corradi Srl and delivered to the authorised dealer ready for installation. No cutting or adjustment needs to be carried out by the installers.

It can be used in the event of winds up to the degree indicated in Table 1 (page 8). ERMETIKA is classified to Class 3 according to UNI EN 13561, see Table 1 (page 8).

ART. 3 - INSTALLATION:

ERMETIKA shall always be fixed to a suitable supporting structure (wall, wood, metal) and all of the installation conditions described in the Installation Manual shall be complied with. The end user shall be given the "User's manual and maintenance handbook".

ART. 4 - WARRANTY EXCEPTIONS:

The warranty covers the repair or complete replacement free of charge of all nonconforming or faulty parts, including transport costs and excluding labour costs. Claims shall not be accepted for damage arising from the non-use of "ERMETIKA", while it is not used prior to and during repairs.

No compensation may be claimed for actual damage or loss of profit.

ART. 5 - APPLICABILITY:

This warranty comes into effect on the date when the delivery document, issued by the installer to the purchaser after installation, is signed.

ART. 6 - SUSPENSION OF WARRANTY:

This warranty will be automatically suspended in the event of failure to pay for goods according to the agreed terms and in the event of modifications or repairs that do not conform to article 3 or uses that do not conform to article 2.

ART. 7 - GUIDES AND CASSETTE

5-Year Warranty – maintenance free:

The guides and the cassette are in hot varnished UNI 6060 aluminium alloy, pre-treated according to stringent procedures as required for example by the "qualicoat" quality mark for maximum durability. The varnish can last for a considerable time (more than 20 years), but may be affected by critical weather conditions, such as proximity to the sea or acid rain with heavy chemical pollution. The warranty covers these critical conditions. ERMETIKA is classified to Class 3 (UNI EN 13561) for the durability of aluminium components.

ART. 8 - CANVAS

2-Year Warranty – maintenance free:

The canvas of ERMETIKA is covered by a warranty regardless of the characteristics of each fabric.

CRISTAL: transparent PVC fabric, produced against Corradi Srl specifications, electro-welded, 100% waterproof and self-

extinguishing to Class 2 for fire-resistance.

It is possible to use other alternative fabrics:

ECLISSI: opaque fabric, classified to Class 2 for fire-resistance;

VINTEX: fabric reinforced with glass, unclassified for fire-resistance;

Insect screen: unclassified for fire-resistance.

ART. 9 - GEARBOX (COMPONENT)

5-Year Warranty – maintenance free:

The manual drive mechanism has been tested to withstand 2,000 cycles. The force of manoeuvre is not greater than those defined in Class 1 of the UNI EN 13561 standard.

ART. 10 – MOTOR REDUCER (COMPONENT)

5-Year Warranty – maintenance free:

The electric drive mechanism has been tested to withstand 3,000 cycles, equal to Class 1 of the resistance to the number of motorisation cycles in the UNI EN 13561 standard. The mechanism has an operating voltage of 220V and should be connected to the mains by a qualified technician.

Table 1 – Effects of wind according to UNI EN 13561

Awning width (cm)	100	150	200	250	300	350
Wind speed (km/h)	95,5	78	67,5	60,5	55	51
Beaufort scale	10	9	8	7	7	7
Wind-resistance class	3	3	3	3	3	3
Note: the values indicated in this table correspond to the load supported by each runner (max. load 50 kg) for an ERMETIKA awning with a height of 300 cm.						